



HDE 500-A22

English



# 1 Information about the documentation

## 1.1 About this documentation

- Read this documentation before initial operation or use. This is a prerequisite for safe, trouble-free handling and use of the product.
- Observe the safety instructions and warnings in this documentation and on the product.
- Always keep the operating instructions with the product and make sure that the operating instructions are with the product when it is given to other persons.

## 1.2 Explanation of symbols used

### 1.2.1 Warnings

Warnings alert persons to hazards that occur when handling or using the product. The following signal words are used:



**DANGER !**

- ▶ Draws attention to imminent danger that will lead to serious personal injury or fatality.



**WARNING !**

- ▶ Draws attention to a potential threat of danger that can lead to serious injury or fatality.



**CAUTION !**

- ▶ Draws attention to a potentially dangerous situation that could lead to slight personal injury or damage to the equipment or other property.

### 1.2.2 Symbols in the documentation

The following symbols are used in this document:

	Read the operating instructions before use.
	Instructions for use and other useful information
	Dealing with recyclable materials
	Do not dispose of electric equipment and batteries as household waste

### 1.2.3 Symbols in the illustrations

The following symbols are used in illustrations:

	These numbers refer to the corresponding illustrations found at the beginning of these operating instructions
3	The numbering reflects the sequence of operations shown in the illustrations and may deviate from the steps described in the text
	Item reference numbers are used in the <b>overview illustrations</b> and refer to the numbers used in the <b>product overview section</b>
	This symbol is intended to draw special attention to certain points when handling the product.
	Wireless data transfer

### 1.3 Explanation of symbols used

#### 1.3.1 Symbols

The following symbols are used on the product:

	National waste-materials management system
	“Off” position
	Continuous dispensing
	Measured dispensing

## 2 Safety

### 2.1 Product information

products are designed for professional users and only trained, authorized personnel are permitted to operate, service and maintain the products. This personnel must be specifically informed about the possible hazards. The product and its ancillary equipment can present hazards if used incorrectly by untrained personnel or if used not in accordance with the intended use.

The type designation and serial number are printed on the rating plate.

- ▶ Write down the serial number in the table below. You will be required to state the product details when contacting Hilti Service or your local Hilti organization to inquire about the product.

#### Product information

Type:	HDE 500-A22
Generation:	01
Serial number:	

### 2.2 Declaration of conformity

We declare, on our sole responsibility, that the product described here complies with the applicable directives and standards. A copy of the declaration of conformity can be found at the end of this documentation.

The technical documentation is filed and stored here:

Hilti Entwicklungsgesellschaft mbH | Tool Certification | Hiltistrasse 6 | 86916 Kaufering, Germany

### 2.3 General power tool safety warnings

#### WARNING

**Read all safety warnings and all instructions.** Failure to follow the warnings and instructions may result in electric shock, fire and/or serious injury.

**Save all warnings and instructions for future reference.**

#### Work area safety

- ▶ **Keep work area clean and well lit.** Cluttered or dark areas invite accidents.
- ▶ **Do not operate power tools in explosive atmospheres, such as in the presence of flammable liquids, gases or dust.** Power tools create sparks which may ignite the dust or fumes.
- ▶ **Keep children and bystanders away while operating a power tool.** Distractions can cause you to lose control.

#### Electrical safety

- ▶ **Avoid body contact with earthed or grounded surfaces, such as pipes, radiators, ranges and refrigerators.** There is an increased risk of electric shock if your body is earthed or grounded.
- ▶ **Do not expose power tools to rain or wet conditions.** Water entering a power tool will increase the risk of electric shock.

#### Personal safety

- ▶ **Stay alert, watch what you are doing and use common sense when operating a power tool. Do not use a power tool while you are tired or under the influence of drugs, alcohol or medication.** A moment of inattention while operating power tools may result in serious personal injury.

- ▶ **Use personal protective equipment. Always wear eye protection.** Protective equipment such as dust mask, non-skid safety shoes, hard hat, or hearing protection used for appropriate conditions will reduce personal injuries.
- ▶ **Prevent unintentional starting. Ensure the switch is in the off-position before connecting to battery pack, picking up or carrying the tool.** Carrying power tools with your finger on the switch or energising power tools that have the switch on invites accidents.
- ▶ **Remove any adjusting key or wrench before turning the power tool on.** A wrench or a key left attached to a rotating part of the power tool may result in personal injury.
- ▶ **Do not overreach. Keep proper footing and balance at all times.** This enables better control of the power tool in unexpected situations.
- ▶ **Dress properly. Do not wear loose clothing or jewellery. Keep your hair, clothing and gloves away from moving parts.** Loose clothes, jewellery or long hair can be caught in moving parts.
- ▶ **If devices are provided for the connection of dust extraction and collection facilities, ensure these are connected and properly used.** Use of dust collection can reduce dust-related hazards.

#### Power tool use and care

- ▶ **Do not force the power tool. Use the correct power tool for your application.** The correct power tool will do the job better and safer at the rate for which it was designed.
- ▶ **Do not use the power tool if the switch does not turn it on and off.** Any power tool that cannot be controlled with the switch is dangerous and must be repaired.
- ▶ **Disconnect the battery pack from the power tool before making any adjustments, changing accessories, or storing power tools.** Such preventive safety measures reduce the risk of starting the power tool accidentally.
- ▶ **Store idle power tools out of the reach of children and do not allow persons unfamiliar with the power tool or these instructions to operate the power tool.** Power tools are dangerous in the hands of untrained users.
- ▶ **Maintain power tools. Check for misalignment or binding of moving parts, breakage of parts and any other condition that may affect the power tool's operation. If damaged, have the power tool repaired before use.** Many accidents are caused by poorly maintained power tools.
- ▶ **Keep cutting tools sharp and clean.** Properly maintained cutting tools with sharp cutting edges are less likely to bind and are easier to control.
- ▶ **Use the power tool, accessories and tool bits etc. in accordance with these instructions, taking into account the working conditions and the work to be performed.** Use of the power tool for operations different from those intended could result in a hazardous situation.

#### Battery tool use and care

- ▶ **Recharge only with the charger specified by the manufacturer.** A charger that is suitable for one type of battery pack may create a risk of fire when used with another battery pack.
- ▶ **Use power tools only with specifically designated battery packs.** Use of any other battery packs may create a risk of injury and fire.
- ▶ **When battery pack is not in use, keep it away from other metal objects, like paper clips, coins, keys, nails, screws or other small metal objects, that can make a connection from one terminal to another.** Shorting the battery terminals together may cause burns or a fire.
- ▶ **Under abusive conditions, liquid may be ejected from the battery; avoid contact. If contact accidentally occurs, flush with water. If liquid contacts eyes, additionally seek medical help.** Liquid ejected from the battery may cause irritation or burns.

#### Service

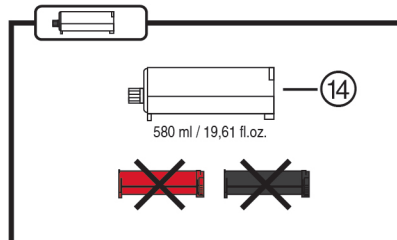
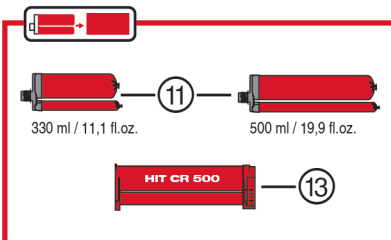
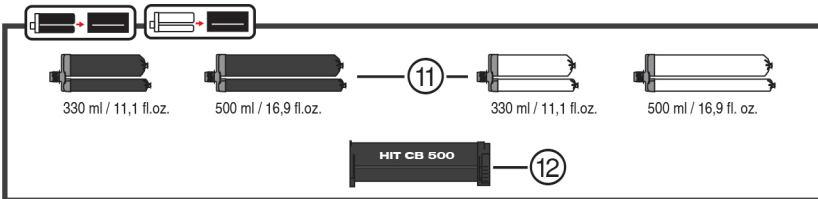
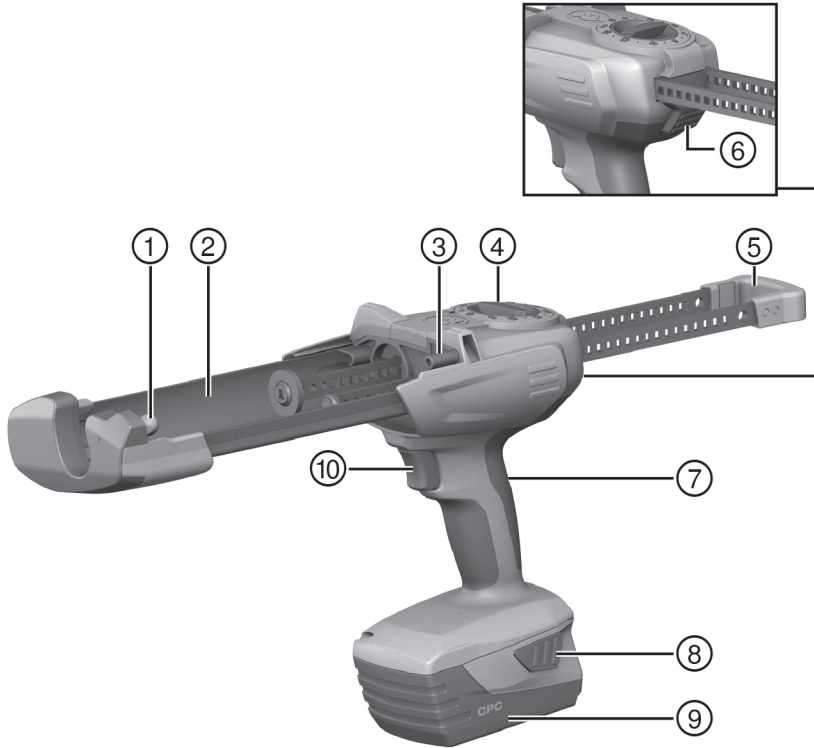
- ▶ **Have your power tool serviced by a qualified repair person using only identical replacement parts.** This will ensure that the safety of the power tool is maintained.

### 2.4 Battery use and care

- ▶ Observe the special regulations and instructions applicable to the transport, storage and use of Li-ion batteries.
- ▶ Do not expose batteries to high temperatures, direct sunlight or fire.
- ▶ Do not disassemble, crush or incinerate batteries and do not subject them to temperatures over 80 °C.
- ▶ Do not use or charge batteries that have suffered mechanical impact, have been dropped from a height or show signs of damage. In this case, always contact your **Hilti Service**.
- ▶ If the battery is too hot to touch it may be defective. In this case, place the product in a non-flammable location, well away from flammable materials, where it can be kept under observation and allowed to cool down. In this case, always contact your **Hilti Service**.

**3 Description**

**3.1 Overview**



- ① Front locating lug for installation of the foil pack holder / cartridge
- ② Cradle for the foil pack holder / cartridge
- ③ Rear locating lug for installation of the foil pack holder / cartridge
- ④ Dispensing mode selector switch
- ⑤ Parallel piston rods with grip
- ⑥ Release button
- ⑦ Grip
- ⑧ Battery release buttons (also used to activate the charge status indicator)
- ⑨ Battery
- ⑩ Trigger

#### Accessories

- ⑪ Foil pack
- ⑫ Foil pack holder, black
- ⑬ Foil pack holder, red
- ⑭ Cartridge

### 3.2 Intended use

The dispenser is designed to dispense the contents of **Hilti** foil packs and cartridges in a controlled operation. The HDE 500-A22 cordless dispenser is designed exclusively for use with **Hilti** 330 ml or 500 ml foil packs and 580 ml cartridges.

The dispenser can be used with either a foil pack holder or a cartridge:

- ▶ Black foil pack holder: Used to dispense **Hilti** mortars supplied in black or white foil packs.
- ▶ Red foil pack holder: Used to dispense **Hilti** mortars supplied in red foil packs.
- ▶ Cartridge: For use with **Hilti** mortar systems without a foil pack holder.
- ▶ Use only **Hilti** Li-ion batteries of the B22 series with this product.
- ▶ Use only **Hilti** battery chargers of the C4/36 series for these batteries.

### 3.3 Items supplied

Dispenser and operating instructions

Other system products approved for use with this product can be found at your local **Hilti Store** or at: [www.hilti.group](http://www.hilti.group) | USA: [www.hilti.com](http://www.hilti.com)

## 4 Technical data

	HDE 500-A22
<b>Weight</b>	2.68 kg
<b>Rated voltage</b>	21.6 V

### 4.1 Noise information and vibration values in accordance with EN 62841

The sound pressure and vibration values given in these instructions were measured in accordance with a standardized test and can be used to compare one power tool with another. They can also be used for a preliminary assessment of exposure.

The data given represent the main applications of the power tool. However, if the power tool is used for different applications, with different accessory tools, or is poorly maintained, the data can vary. This can significantly increase exposure over the total working period.

An accurate estimation of exposure should also take into account the times when the tool is switched off, or when it is running but not actually being used for a job. This can significantly reduce exposure over the total working period.

Identify additional safety measures to protect the operator from the effects of noise and/or vibration, for example: maintaining the power tool and accessory tools, keeping the hands warm, organization of work patterns.

#### Noise information

	HDE 500-A22
Typical A-weighted sound power level ( $L_{WA}$ )	78 dB
Uncertainty for measured sound power level ( $L_{pA}$ )	3 dB
Typical A-weighted emission sound pressure level ( $K_{WA}$ )	67 dB
Uncertainty for the sound pressure level ( $K_{pA}$ )	3 dB

#### Vibration information

	HDE 500-A22
Total vibration ( $a_h$ )	0.5 m/s <sup>2</sup>
Uncertainty ( $K_{ah}$ )	1.5 m/s <sup>2</sup>

## 5 Operation

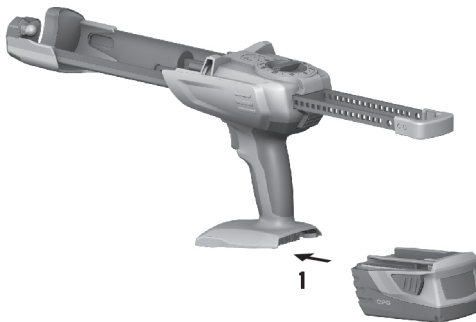
### 5.1 Comply with all safety instructions and instructions for use.

#### WARNING

**Chemicals hazard** Incorrect use can lead to injury.

- Prior to use, read and comply with the safety data sheet for the product, the instructions on the packaging and the instructions for use of the foil pack.

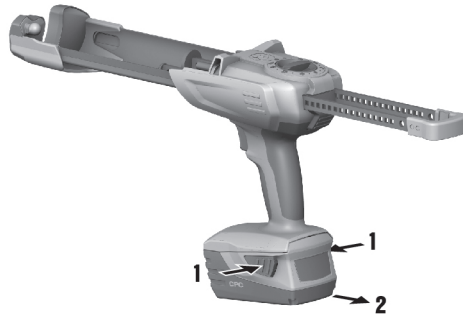
### 5.2 Inserting the battery



- Push the battery into the dispenser from the rear until it engages with an audible click.



### 5.3 Removing the battery



- ▶ Remove the battery.

### 5.4 Inserting the foil pack holder and foil pack

**CAUTION**

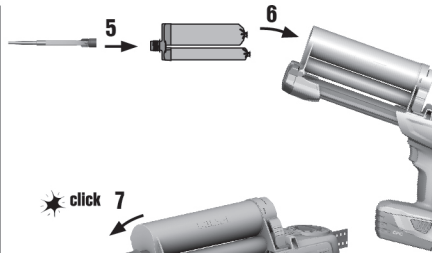
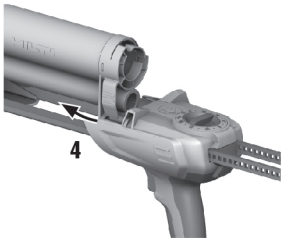
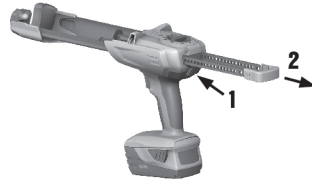
**Trap hazard** Hands can be trapped if care is not exercised when swiveling the foil pack holder closed.

- ▶ Keep your hands clear of the cradle area when swiveling the foil pack holder into position.

**CAUTION**

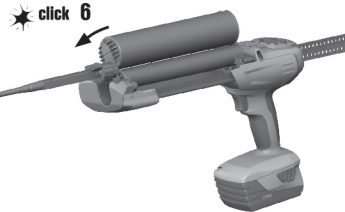
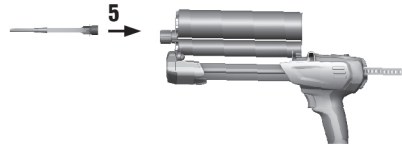
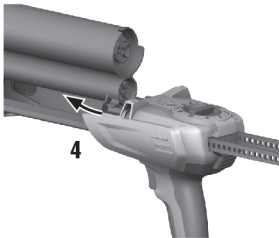
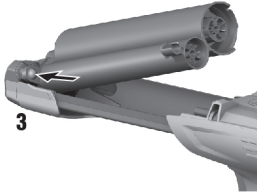
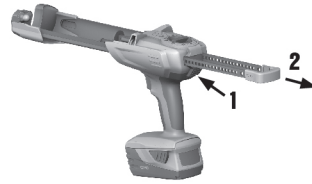
**Risk of injury** Chemicals hazard.

- ▶ Check the foil pack holder for damage and soiling. Both pistons must move smoothly and easily in both directions over the full length of their travel in the foil pack holder. **Replace the foil pack holder if it is damaged and/or badly soiled.**



1. Press the release button.
2. Pull the piston rods back as far as they will go.
3. Fit the foil pack holder and swivel it upwards.
4. Screw the static mixer (mixing nozzle) onto the foil pack.
5. Push the foil pack into the foil pack holder.
6. Swivel the foil pack holder into the dispenser.

## 5.5 Inserting the cartridge



1. Press the release button.
2. Pull the piston rods back as far as they will go.
3. Fit the cartridge.
4. Screw the static mixer (mixing nozzle) onto the foil pack.
5. Swivel the cartridge into the dispenser.

## 5.6 Discarding initially dispensed mortar

### WARNING

**Risk of injury** Chemicals hazard.

- ▶ Never point the dispenser toward yourself or other persons. Incorrect use can lead to injury.

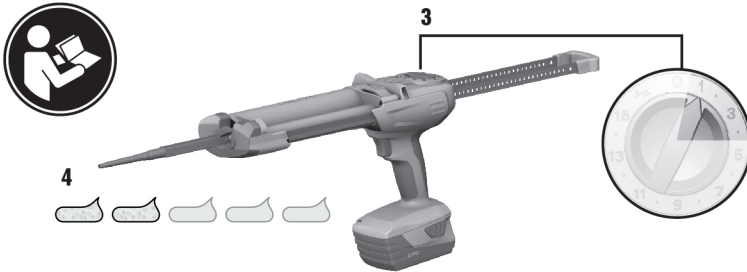
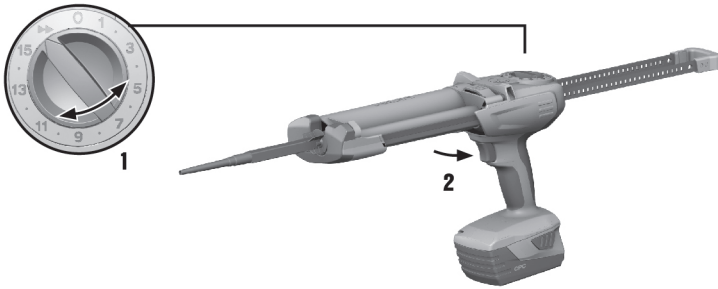
### WARNING

**Risk of injury** Chemicals hazard.

- ▶ Begin dispensing mortar only after the mixing nozzle has been screwed on. Incorrect use can lead to injury.



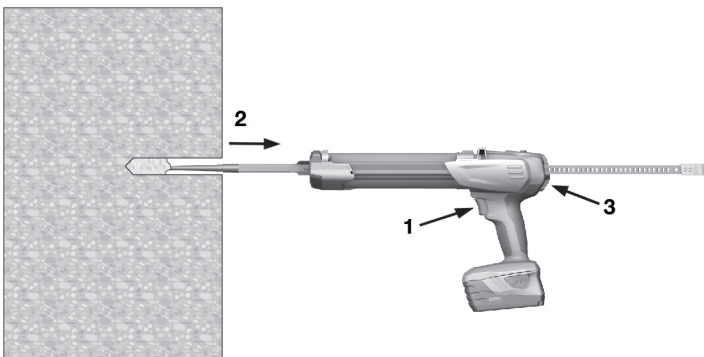
Discard the initially dispensed volume of mortar every time the static mixer (mixing nozzle) is changed. The initially dispensed mortar is not suitable for use.



1. Set the dispenser volume regulator switch to ►►.
2. Squeeze the trigger until the mixing nozzle is completely full.
3. Set the dispenser volume regulator switch to the appropriate volume of mortar **1...15**.
  - ◀ 1 = 1 stroke (approx. 5 ml)
  - ◀ 15 = 1 stroke (approx. 75 ml)
4. Discard the initially dispensed volume of mortar.

**5.7 Injecting mortar**

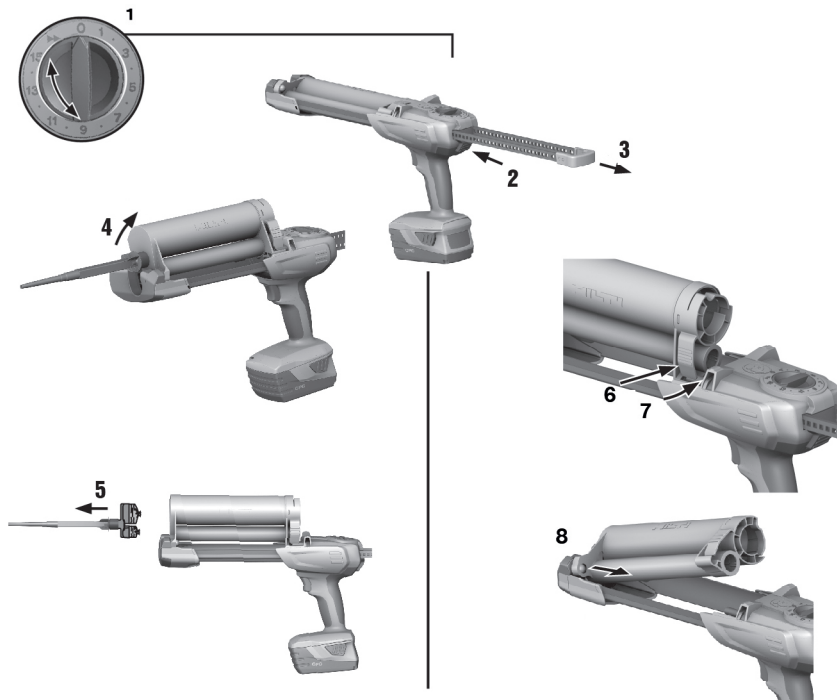
**i** Fit a new mixing nozzle for each use. Failure to observe this point will result in too little mortar being dispensed.



1. Press the trigger.

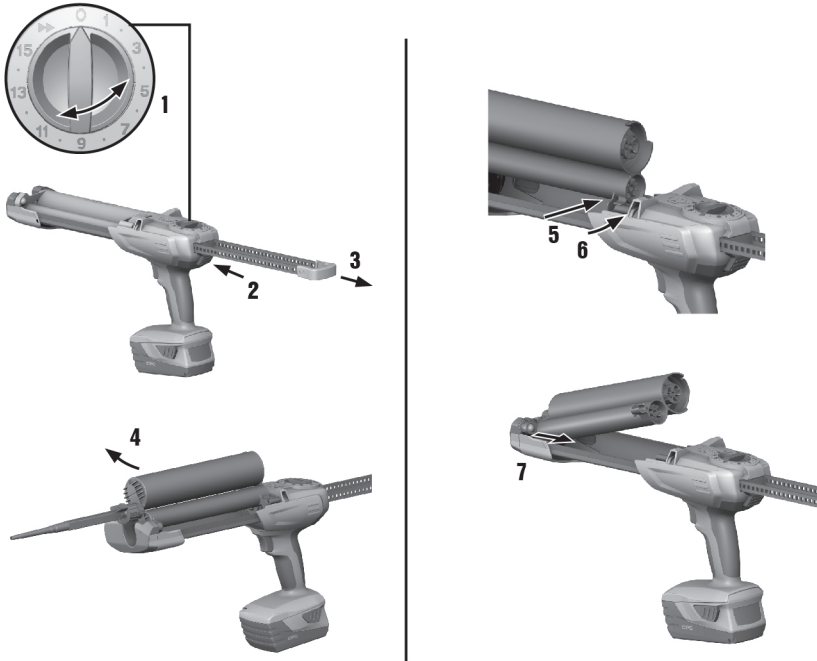
2. Inject the mortar.

### 5.8 Removing the foil pack holder and foil pack



1. Set the dispenser volume regulator switch to **0**.
2. Press the release button.
3. Pull the piston rods back as far as they will go.
4. Swivel the foil pack holder up.
5. Remove the foil pack.
6. Remove the foil pack holder from the dispenser.

## 5.9 Removing the cartridge



1. Set the dispenser volume regulator switch to **0**.
2. Press the release button.
3. Pull the piston rods back as far as they will go.
4. Swivel the cartridge upwards.
5. Remove the cartridge from the dispenser.

## 6 Care and maintenance of cordless tools

### WARNING

#### Risk of injury with battery inserted !

- ▶ Always remove the battery before carrying out care and maintenance tasks!

#### Care and maintenance of the tool

- Carefully remove stubborn dirt from the tool.
- Clean the air vents carefully with a dry brush.
- Use only a slightly damp cloth to clean the casing. Do not use cleaning agents containing silicone as these may attack the plastic parts.

#### Care of the Li-ion batteries

- Keep the battery free from oil and grease.
- Use only a slightly damp cloth to clean the casing. Do not use cleaning agents containing silicone as these may attack the plastic parts.
- Avoid ingress of moisture.

#### Maintenance

- Check all visible parts and controls for signs of damage at regular intervals and make sure that they all function correctly.

- Do not operate the cordless tool if signs of damage are found or if parts malfunction. Have the tool repaired by **Hilti** Service immediately.
- After cleaning and maintenance, fit all guards or protective devices and check that they function correctly.

## 7 Troubleshooting

If the trouble you are experiencing is not listed in this table or you are unable to remedy the problem by yourself, please contact **Hilti** Service.

### 7.1 Troubleshooting

If the trouble you are experiencing is not listed in this table or you are unable to remedy the problem by yourself, contact **Hilti** Service.

Trouble or fault	Possible cause	Action to be taken
The power tool does not work.	The battery is not fully inserted.	▶ Push the battery in until it engages with an audible double click.
	Low battery.	▶ Change the battery and charge the empty battery.
	The dispensing mode selector switch is set to "0"	▶ Select the desired dispensing volume.
The power tool does not work and all four LEDs flash.	The overload cut-out is activated; mortar in the mixing nozzle has hardened	▶ Replace the static mixer (mixing nozzle).
	The overload cut-out is activated; dispensing pressure required is too high for the tool	▶ Increase the foil pack temperature. Select the power tool to suit the application.
	Foil pack empty	▶ Replace the empty foil pack.
The power tool does not work and one LED flashes.	Low battery.	▶ Change the battery and charge the empty battery.
	The battery is too hot or too cold.	▶ Change the battery.
The battery runs down more quickly than usual.	Very low ambient temperature.	▶ Allow the battery to warm up slowly to room temperature.
The battery does not engage with an audible double click.	The retaining lugs on the battery are dirty.	▶ Clean the retaining lugs and push the battery in until it engages. Contact <b>Hilti</b> Service if the problem persists.
The power tool or battery gets very hot.	The tool is overloaded (application limits exceeded).	▶ Pay attention to the power and performance rating of the product before using it, i.e. check its suitability for the job on hand. See the "Technical data" section.
	Electrical fault	▶ Consult <b>Hilti</b> Service if the problem persists.
The foil pack holder cannot be swiveled into the tool.	The foil pack is not pushed fully into the holder.	▶ Push the foil pack into the foil pack holder as far as it will go.
	Piston rods not pulled back fully	▶ Press the release button and pull the piston rods all the way back.
The foil pack holder does not engage with an audible click	The retaining lugs are dirty	▶ Clean the retaining lugs.
	The retaining lugs are defective	▶ Insert a different foil pack holder and contact <b>Hilti</b> Service.
No mortar is dispensed from the mixing nozzle	Mortar in the mixing nozzle has hardened	▶ Unscrew the mixing nozzle containing the hardened mortar and fit a new mixing nozzle.

## 8 Transport and storage of cordless tools

---

### Transport

 **CAUTION**

#### Accidental starting during transport !

- ▶ Always transport your products with the batteries removed!
- ▶ Remove the battery.
- ▶ Transport the tool and batteries individually packaged.
- ▶ Never transport batteries in bulk form (loose, unprotected).
- ▶ Check the tool and batteries for damage before use after long periods of transport.

### Storage

 **CAUTION**

#### Accidental damage caused by defective or leaking batteries !


- ▶ Always store your products with the batteries removed!
- ▶ Store the tool and batteries in a place that is as cool and dry as possible.
- ▶ Never store batteries in direct sunlight, on heating units or behind a window pane.
- ▶ Store the tool and batteries in a place where they cannot be accessed by children or unauthorized persons.
- ▶ Check the tool and batteries for damage before use after long periods of storage.

### 8.1 Transport and storage of dispensers

- ▶ For transporting and storing the tool, set the dispensing mode selector switch to **0**.

## 9 Disposal

---

 Most of the materials from which **Hilti** tools and appliances are manufactured can be recycled. The materials must be correctly separated before they can be recycled. In many countries, your old tools, machines or appliances can be returned to **Hilti** for recycling. Ask **Hilti** Service or your Hilti representative for further information.

### Battery disposal

Improper disposal of batteries can result in health hazards from leaking gases or fluids.

- ▶ DO NOT send batteries through the mail!
- ▶ Cover the terminals with a non-conductive material (such as electrical tape) to prevent short circuiting.
- ▶ Dispose of your battery out of the reach of children.
- ▶ Dispose of the battery at your **Hilti Store**, or consult your local governmental garbage disposal or public health and safety resources for disposal instructions.



- ▶ Do not dispose of power tools, electronic equipment or batteries as household waste!

## 10 China RoHS (guideline on restriction of the use of dangerous substances)

---

The following link takes you to the table of dangerous substances: [qr.hilti.com/r5250](http://qr.hilti.com/r5250).

You will find a link to the RoHS table, in the form of a QR code, at the end of this document.

## 11 Manufacturer's warranty

---

- ▶ Please contact your local **Hilti** representative if you have questions about the warranty conditions.





**Hilti Aktiengesellschaft**  
Feldkircherstraße 100  
9494 Schaan | Liechtenstein

**HDE 500-A22 (01)**

[2010]

2006/42/EC

EN ISO 12100

2014/30/EU

EN 60745-1

2011/65/EU

2006/66/EU

Schaan, 12/2015

**Gunnar Wald**

Head Quality  
BU Installation Systems

**Raimund Zaggl**

Executive Vice President  
Head of BU Anchors









Hilti Corporation  
LI-9494 Schaan  
Tel.: +423 234 21 11  
Fax: +423 234 29 65  
[www.hilti.group](http://www.hilti.group)