

## Der innovative ABCD hammerset fixing.



### BUILDING MATERIALS

#### Approved for:

- Concrete
- Solid sand lime bricks
- Claybricks
- Solid concrete block
- Vertically perforated sand lime bricks
- Vertically perforated claybricks
- Lightweight concrete hollow blocks
- Lightweight concrete solid block
- Lightweight aggregate concrete

### APPROVALS



### ADVANTAGES

- The crumple zone allows an exact washer penetration.
- The asymmetric expansion element ensures a perfect anchoring even in hollow and problem substrates.
- The innovative shank and the special geometry of the nylon nail minimizes the failure tendency significant, particularly in full substrates.
- The washer thickness of only 2.5 mm allows thin and economic reinforcement layers.
- Due to the component nail the termoz CN 8 provides nearly no thermal bridging and helps saving energy.
- Can be combined with insulation retaining washers DT 90, 110 and 140 mm.

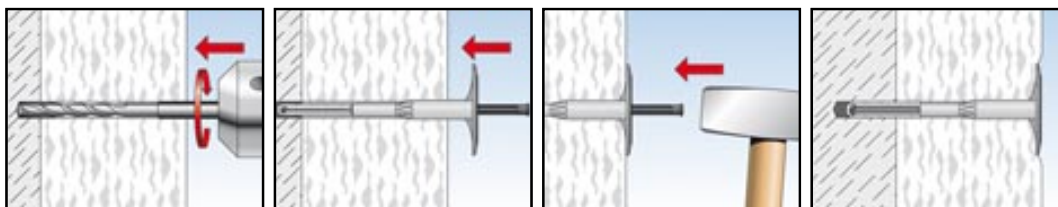
### APPLICATIONS

#### For fastening of:

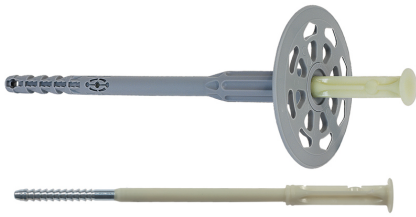
- Thermal insulation boards in an external ETIC-system

### FUNCTIONING

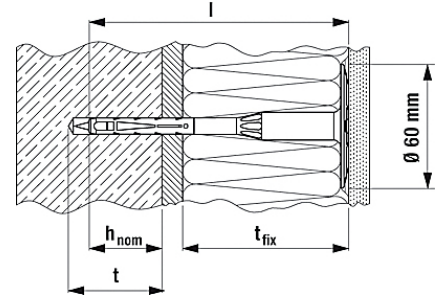
- Hammerset fixings for the installation of ETIC-Systems in all standard masonry materials.
- By hammering in the compound nail, the fixing is anchored into the substrate.
- Quick and easy installation per hammering in the compound nail with a hammer.
- Embedment depth of min. 35 mm in the substrate is needed.
- Non bearing layers such as adhesives and old render are to be included in the required useful length.



## TECHNICAL DATA



Termoz CN 8 hammerset fixing



Article name	Art.-No.	Approval	Drill hole diameter $d_0$ [mm]	Min. drill hole depth $h_1$ [mm]	Effect. anchoring depth $h_{ef}$ [mm]
	507418	■	8	45	35
	507419	■	8	45	35
	507420	■	8	45	35
	507421	■	8	45	35
	507422	■	8	45	35
	507423	■	8	45	35
	507424	■	8	45	35
	507425	■	8	45	35
	507426	■	8	45	35
	507427	■	8	45	35
	507428	■	8	45	35
	507429	■	8	45	35
	507430	■	8	45	35
	507431	■	8	45	35
	507432	■	8	45	35